

## DXc Range Data Sheet

1, 2 and 4 loop, networkable,  
multi-protocol, analogue addressable  
fire alarm control panel

### Product Overview

The Morley-IAS by Honeywell DX Connexion is a compact, high performance, feature rich, economical fire alarm control panel designed to help both the installer and the end user in the protection of small to medium sized buildings.

The DX Connexion connects the traditional Morley-IAS qualities of reliability, flexibility and value with advanced features and intuitive functionality.

The most powerful and flexible fire alarm control panel in its class. Simply fix the control panel to the wall, connect the field wiring, power up and in as few as five button presses you can have a compliant, working fire alarm system.

The panel's large graphical display provides a clear menu structure making the whole initial set-up process quick, clear and intuitive.



# Product Overview (Continued...)

Additionally, programming the control panel couldn't be easier. Complex configuration can be achieved by using either the familiar alpha-numeric style key pad or by using the Windows PC programming tool supplied with the panel. The flexible PC programming tool also allows text messages for devices or zones to be imported from an Excel spread sheet adding flexibility and saving further time onsite.

## User Interface

<b>Display</b>	6x40 character (240x64 pixels) blue liquid crystal display with backlight illumination
<b>Control Keys</b>	Evacuate, Silence/Resound, Mute Buzzer, Extend Delay, System Reset, Show Alarm Zones
<b>Programmable Keys</b>	2 independent programmable function keys and LED indicators
<b>Programming Keys</b>	12 button alpha numeric key pad inc cancel and return keys plus 4 navigation keys and an OK key
<b>Indicators</b>	Fire, Fault, Disablement, Test, Buzzer Muted, Delayed Mode, Sounders Silenced, Sounders Disabled and Power. Also dedicated fault LEDs for System Fault, Supply Fault and Earth Fault. 40, 80 or 160 LED fire zone indicators optional.

## Protocol Devices

Supports Apollo (Xplorer, XP95 and Discovery), Hochiki (ESP) & System Sensor protocol devices.

Loop Capacity<sup>2</sup>: 500mA per loop

Number of Devices	Apollo Protocol	Hochiki Protocol	System Sensor Protocol
126	✓	✓	-
198	-	-	✓
<b>Total Number of Devices</b>		<b>198</b>	
<b>Sensors</b>		<b>99</b>	
<b>MCPs, Modules &amp; AV products</b>		<b>99</b>	

# Networking Features

- Network up to 16 loops (16x1 loop panels, 8x2 loop panels, 4x4 loop panels or any mix up to max 16 loops)
- True peer-to-peer and fault tolerant network for high system reliability
- BS5839 part 1 compliant network

## Panel Features

- Disable all relays
- Optional 40, 80 or 160 zone alarm LEDs
- Easy 5 key-press set-up
- Large blue LCD display
- Supports USB upload/download
- Alpha-numeric style keypad and navigation keys
- Option to upload a company logo
- 160 zone compact mimic support
- Panel buzzer 'mute' in engineering mode
- Up to 72 hour standby

## Software Features

- PC configuration software (supplied with panel)
- 80 fire zones (can be used with or without LEDs)
- 7 day timers
- Event logging
- Onboard diagnostics
- Class change function
- Coincidence and verification detection for false alarm management
- Sensitivity adjustment e.g. between day and night
- Input/output logic
- Enhanced zone support up to 160 LEDs
- Type B dependency
- Alternative zone referencing scheme

## Hardware Features

- Battery backed real-time clock (2 & 4 loop)
- 2 independent sounder circuits
- 500mA multi-protocol loop driver
- 2 x onboard monitored inputs
- Optional programmable keyswitch for selected functions
- Plug-in connectors

### Output Relays:

Fire relay: Single pole changeover 24V DC 1A  
 Fault relay: Single pole changeover 24V DC 1A  
 Aux relay: Programmable single pole changeover 24V DC 1A

### Onboard Data Ports:

1 x RS485 (Repeater connection)  
 1 x PC Programming Port<sup>4</sup>

### Optional Ports:

RS232 third party protocol interface

### Sounder Circuits:

2 output circuits, 1A per circuit.<sup>1</sup>

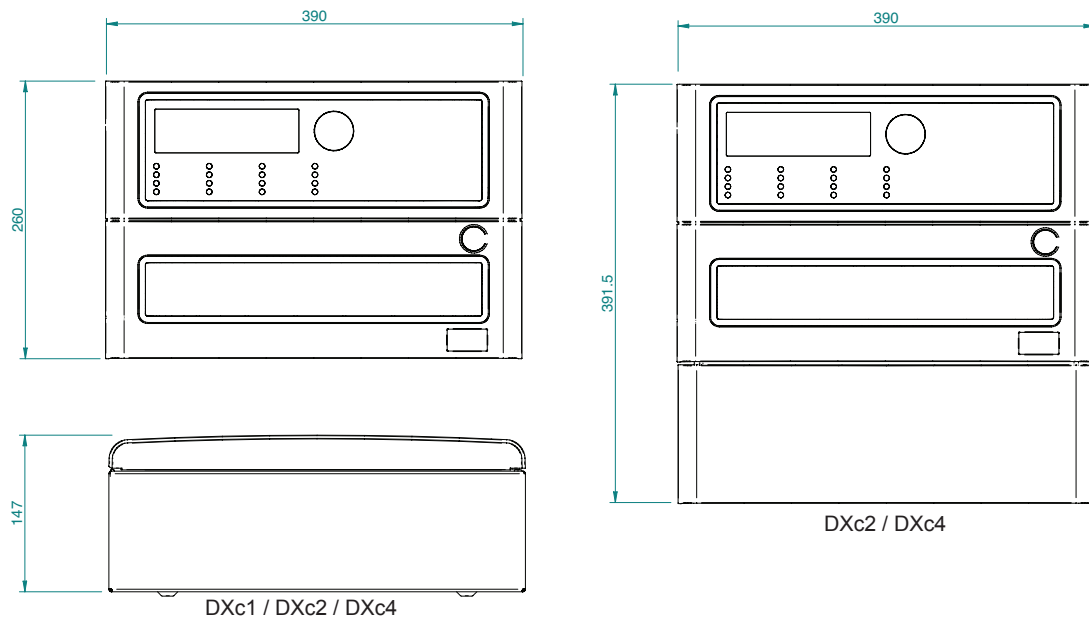
# Mechanical

## DXc1

## DXc2

## DXc4

Dimensions [mm] (H x W x D)	260 x 390 x 147	391.5 x 390 x 147	391.5 x 390 x 147
Weight (Excluding Batteries)	4kg	4.5kg	4.5kg
Colour	RAL 9002 - Grey white	RAL 9002 - Grey white	RAL 9002 - Grey white
Mounting Holes	3	3	3
Knockouts (20mm)	Top: 25x Bottom: 2x	Top: 25x Bottom: 4x	Top: 25x Bottom: 4x
Operating Temperature	0°C to +40°C	0°C to +40°C	0°C to +40°C
Relative Humidity	5% - 95% non-condensing	5% - 95% non-condensing	5% - 95% non-condensing
	IP30 (EN6059)	IP30 (EN6059)	IP30 (EN6059)
Material	Mild steel sheet rear enclosure. ABS plastic front cover to BS EN60950. All displays and controls are carried on the enclosure door.		



# Electrical

## DXc1

## DXc2

## DXc4

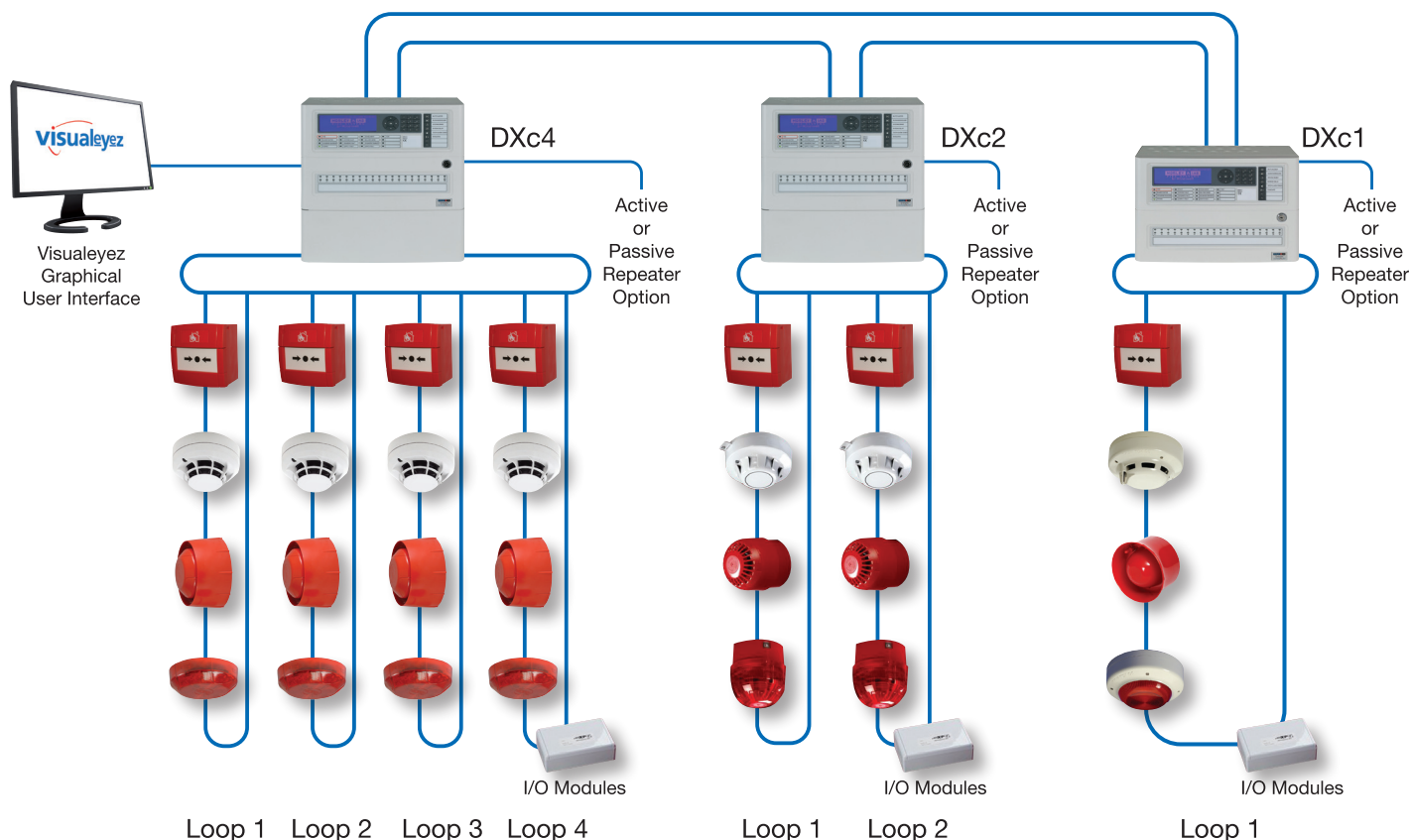
Operating Voltage	110 / 230V AC +/-15%	110 / 230V AC +/-15%	110 / 230V AC +/-15%
PSU Rating	24V DC 2A	24V DC 4A	24V DC 4A
Stand-by Batteries <sup>5</sup>	2 x 7Ah	2 x 17Ah	2 x 17Ah
Stand-by Battery Duration <sup>3</sup> (Based on Apollo devices)	Stand alone: 24 hours back-up with either network card or repeater connected	Stand alone: 72 hours. With network card or repeater connected: 48 hours	Stand alone: 48 hours. With network card or repeater connected: 24 hours
Auxilliary Output <sup>1</sup>	+24V DC 250mA fused	+24V DC 250mA fused	+24V DC 250mA fused

### Notes:

- <sup>1</sup> Maximum available current will be dependent on full control panel loading.
- <sup>2</sup> Only one protocol can be selected within the control panel.
- <sup>3</sup> Stand-by dependent on type and quantity of devices installed.
- <sup>4</sup> Requires RS232 or USB interface lead.
- <sup>5</sup> Not included.

# DXc System Example

## Fault Tolerant Peer-Peer Network



\* Images shown above with optional LED Kit

## Part Numbers

### Panels

714-001-111	DXc1 One loop Fire Alarm Control Panel
714-001-221	DXc2 Two loop Fire Alarm Control Panel
714-001-241	DXc4 Four loop Fire Alarm Control Panel
709-601-001	Morley Active Repeater
709-701-001	Morley Passive Repeater
795-097	Engineers SPK (Software Programming Kit)
795-099	Network card
795-101	Blank cover kit for Extension Box
795-102	40 zone LED card kit
795-103	DXc Extension cover, comes with 80 zones LED card
795-111	2 loop expansion card
795-112	Bezel kit for DXc1 (mm: h:342 x w:471.5 x d:13)
795-113	Bezel kit for DXc2/4 (mm: h:473.5 x w:471.5 x d:13)

### Accessories

795-114	Bezel kit DXc1 plus Extension Box
795-115	Bezel kit DXc2/4 plus Extension Box
795-116	Custom keyplate cover for Extension Box
795-118	Keyswitch kit
795-119	Rack mounting kit DXc1
795-120	Rack mounting kit DXc2/4
795-121	Extension back box
795-122	RS232 Kit (for third party protocol)
795-124	80 zone LED card kit
797-090	DXc EN54-4 compliant PSU
020-909	DXc Compact Mimic
020-910	DXc Expansion Mimic PCB
020-891	USB isolated upload/download lead
See price list	Visualeyez options

For further details on these or any other Morley-IAS products please contact your local distributor, Morley-IAS Business Manager or via our contact details found below.



by Honeywell

Caburn House  
2B Brooks Road  
Lewes, E. Sussex  
BN7 2BY UK

T: +44 (0) 1273 897 000  
F: +44 (0) 1273 376 894  
E: sales@morleyias.co.uk  
[www.morley-ias.co.uk](http://www.morley-ias.co.uk)

Every care has been taken in the preparation of this datasheet but no liability can be accepted for the use of the information therein. Design features may be changed or amended without prior notice.  
© Morley-IAS by Honeywell 2014

DOC REF: M100-DXc-R1- (0714)